



## **RDC6332G Controller User Manual**

## CONTENTS

<b>Copyright Declaration.....</b>	<b>4</b>
<b>Chapter 1 Overview.....</b>	<b>5</b>
1.1 Briefing.....	5
1.2 Description of Controller Model.....	5
1.3 Comparison of Controller Performance.....	6
<b>Chapter 2 Installation Size.....</b>	<b>8</b>
2.1 Installation Size of Controller.....	8
2.2 Size of Panel.....	9
<b>Chapter 3 Controller Pictures and Interfaces.....</b>	<b>10</b>
3.1 Pictures of Controller.....	10
3.2 Pictures of Panel.....	11
<b>Chapter 4 Description of Controller Interface Signal.....</b>	<b>12</b>
4.1 Interface of Main Power Source CN1.....	12
4.2 Panel Power Interface CN0.....	12
4.3 Panel Signal-Cable Interface HDI.....	12
4.4 Reserved Interface HMI.....	13
4.5 Udisk Interface.....	13
4.6 USB Interface.....	13
4.7 Ethernet Interface.....	13
4.8 General Output Port CN2.....	14
4.9 3-axle Spacing and Special Input Interface CN3/CN4.....	15
4.10 X/Y/Z-axle Motion Drive Interface.....	16
4.11 Laser Power Control Interface CN6/CN7.....	17
4.12 Water Protect Input Interface CN5.....	18
<b>Chapter 5 Laser Power Interface Examples.....</b>	<b>19</b>
5.1 Digital Laser Power Supply of Glass Tube.....	19
5.2 Analog Laser Power Supply of Glass Tube.....	19
5.3 RF CO2 Laser.....	20
<b>Chapter 6 Step-servo Motor Driver Interface Examples.....</b>	<b>21</b>
6.1 Overview.....	21



6.2 Valid Rising Edge for Pulse Signal.....	22
6.3 Valid Falling Edge for Pulse Signal.....	23
<b>Chapter 7 Examples of IO-port Wiring.....</b>	<b>25</b>
7.1 Input Port.....	25
7.2 Output Port.....	26
<b>Chapter 8 Operating Instruction of Panel.....</b>	<b>27</b>
8.1 The Keys Introduction.....	27
8.1.1 Introduction to the whole panel.....	27
8.1.2 Introduction to the keys.....	27
8.2 Introduction to the interface functions.....	29
8.2.1 The screen of power on.....	29
8.2.2 The main interface.....	30
8.2.3 Speed settings.....	30
8.2.4 Max/Min power settings.....	31
8.2.5 Reset the axis.....	32
8.2.6 Set the layer parameters.....	32
8.3 Introduction to menus.....	33
8.3.1 System information.....	34
8.3.2 System config.....	34
8.3.3 Function sub menu.....	35
8.3.4 User para.....	37
8.3.5 Machine para.....	37
8.4 Introduction to file function.....	38
8.4.1 Memory file.....	38
8.4.2 Udisk file.....	39
8.5 Introduction to diagnoses function.....	40
8.6 Introduction to alarm info.....	40
<b>Chapter 9 Manufacturer/User Parameters Explanation.....</b>	<b>41</b>
9.1 Manufacturer Parameters.....	41
9.2 User Parameters.....	44

## Copyright Declaration

Shenzhen Ruida Technology Co., Ltd. (hereinafter referred to as “Ruida Technology”)

All rights reserved.

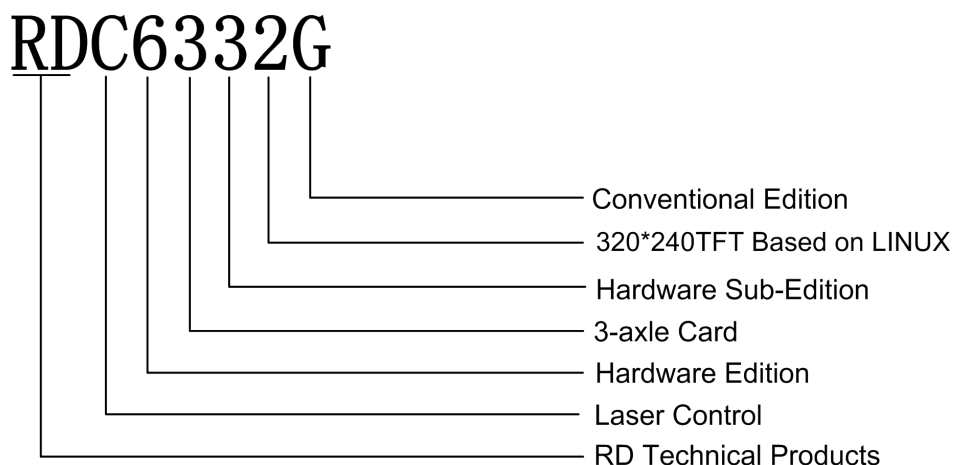
1. Ruida Technology holds the patent rights, copyrights and other intellectual property rights for this product and its related software. Without authorization, none company or organization or individual is allowed to copy, manufacture, process and use this product and its relative parts directly or indirectly, otherwise shall be investigated for legal responsibility according to the law.
2. Ruida Technology is entitled to increase or reduce and modify the products and functions of this product stated herein as well as amend any documents attached to this product, without prior notification.
3. The users should peruse this manual prior to using the product stated herein, Ruida Technology shall not be responsible for the direct, indirect, special, incidental or corresponding losses or damages arising out of improper use hereof or of this product as below:
  - Users using this manual or product improperly
  - Users not follow the related safety operation rules
  - The loss caused by the forces of nature
4. The machine in operation is dangerous, so the users are obliged to design and institute the effective mechanism for error handling and safety protection. Ruida Technology shall not undertake any duties or responsibilities for the incidental or corresponding losses arising therefrom.

## Chapter 1 Overview

### 1.1 Briefing

RDC6332G system is a new generation system for control of laser engraving and cutting, which is developed by RD Co., Ltd. This system has high hardware stability, high voltage resistance or antistatic capability, and friendly 320\*240 TFT man-machine display based on Linux. This system is provided with stronger software function including perfect 3-axle motion control function, large-capacity file storage, two-channel adjustable digits, analog laser power control interface, USB driver of stronger compatibility, multi-channel general/special IO control, and integrated time system for hardware encryption, and, this system can communicate with PC by USB2.0 or Ethernet.

### 1.2 Description of Controller Model



### 1.3 Comparison of Controller Performance

		RDLC310	RDLC420	RDC6332G
Power Feature		Two-way 5V, independent	One-way 5V, one-way 24V, independent	Only one-way 24V (compatible with 36V for power supply, but not recommended)
Laser Port Feature		Only one-way digital control port	One-way digit and one-way analog	Two-way digits and two-way analog port, settable independently and non-interacted
USB Feature	Copying Speed	Slow	Common	Very Quick
	Compatibility	Support a few USB disks	Support USB disks with small capacity	Support all USB disks with different capacities
Memory Feature	Capacity	32M	64M	256M
	Fault Tolerance	Poor	Common	Capable of checking defective track and formatting and good in fault tolerance
General IO Feature	Input Port	Nil	Two ways	4 ways (two for general, two for specialties)
	Output Port	Nil	1-way (low current, so additional drive is needed)	4-ways (500mA high current for each, OC output, two for general, two for specialties)
Software Feature	Power-off restart for Engraving	NO	YES	YES
	Multi-origin Logics	NO	NO	YES
	Parameter Backup Logics	NO	NO	YES
	Work time Preview	NO	NO	YES (the work time accurate to 1ms)
	Online Updata Controller Program	NO	NO	YES
Display Feature	Online Modification Laser Power/Speed	NO	YES	YES
	Offline Modification Layer parameters	NO	NO	YES
	Online Updata Startup Display	NO	NO	YES
	File dynamic/static preview	NO	NO	YES
	Modification Factory/User's	NO	NO	YES



**RDC6332G Control System User Manual**

	para on display			
	Display type	128*64, dot display	128*64, dot display	320*240 TFT display
Motion-axle Feature	Soft Spacing	YES	YES	YES
	Hard Spacing	NO	NO	YES
	Z-axle Linkage	NO	NO	YES
	Feeding Feature	Null	Single direction	Single/double direction for option
	Power-on Resetting	Fixed	Fixed	Configurable for each axes
	Key Speed	Fixed	Fixed	Configurable
	Axles	3	4	3 (Z axes is configurable to flat or feedin axes)
Encryption Feature		Null	Encryption based on the PC time	Realtime clock and battery integrated for hardware encryption
Communication Mode		USB2.0	USB2.0	10/100MHZ Ethernet or USB2.0

## Chapter 2 Installation Size

### 2.1 Installation Size of Controller

The unit of all sizes is millimeter (mm) and the size accurate to 0.1mm.

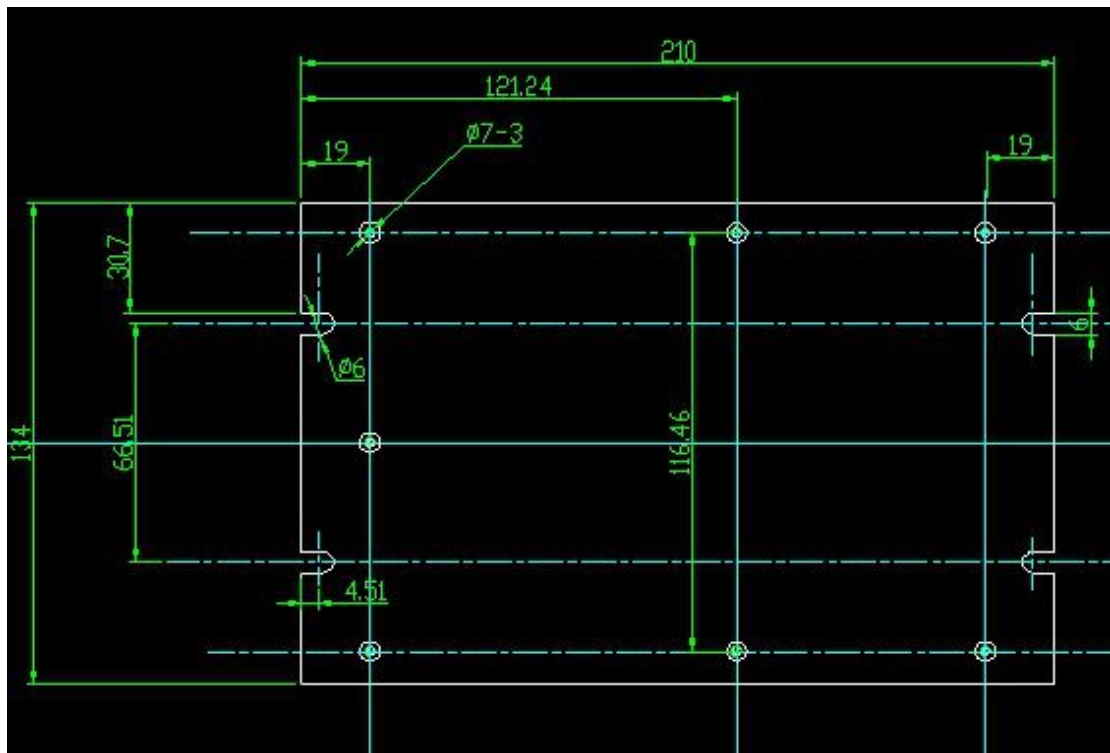


Figure: 2.1-1



## 2.2 Size of Panel

The unit of all sizes is millimeter (mm) and the size accurate to 0.1mm.

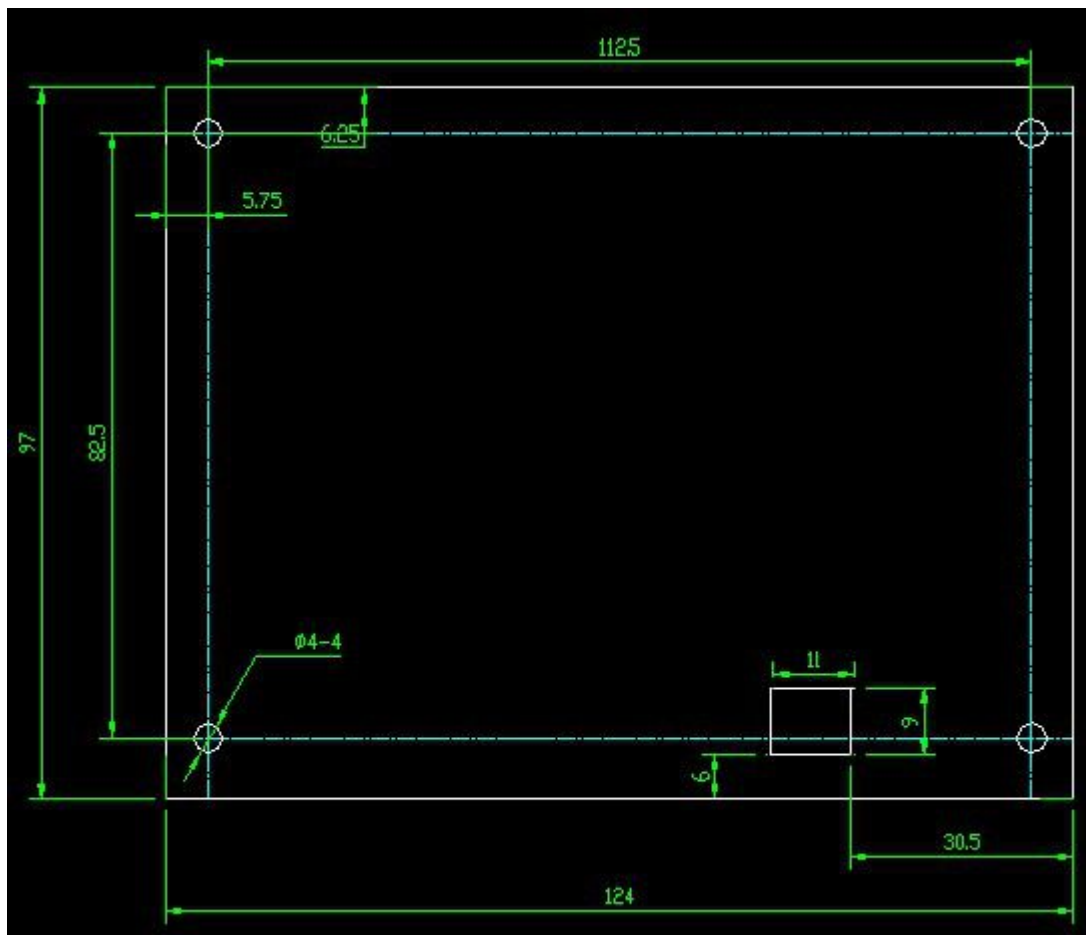


Figure: 2.2-1

## Chapter 3 Controller Pictures and Interfaces

### 3.1 Pictures of Controller

For more detailed pin description, see the Chapter 4: Description of Interface Signal for Controller.

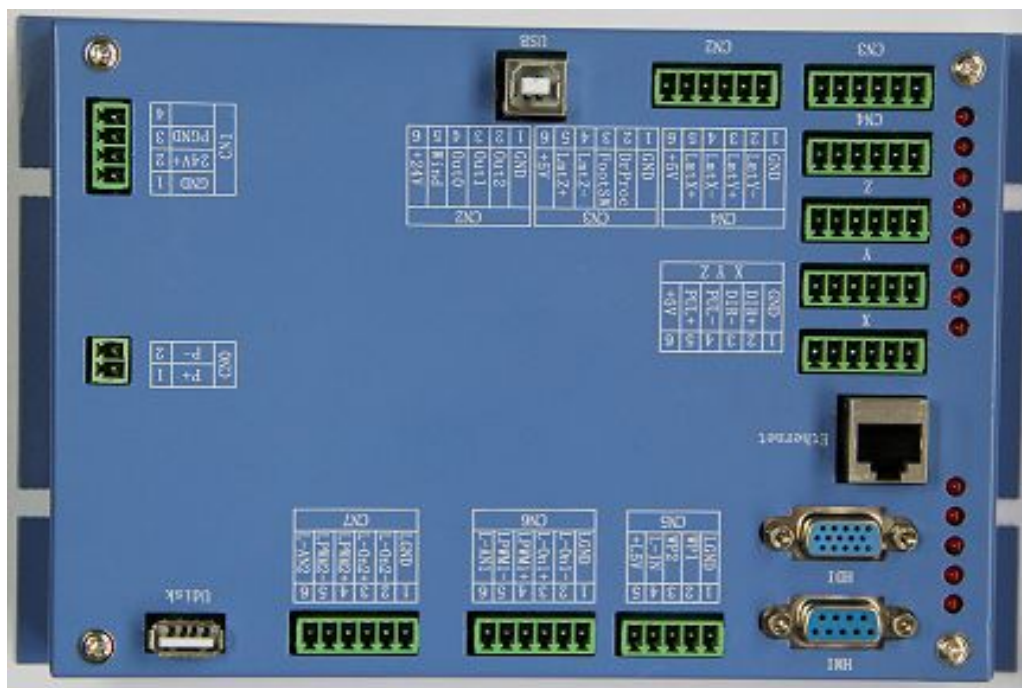
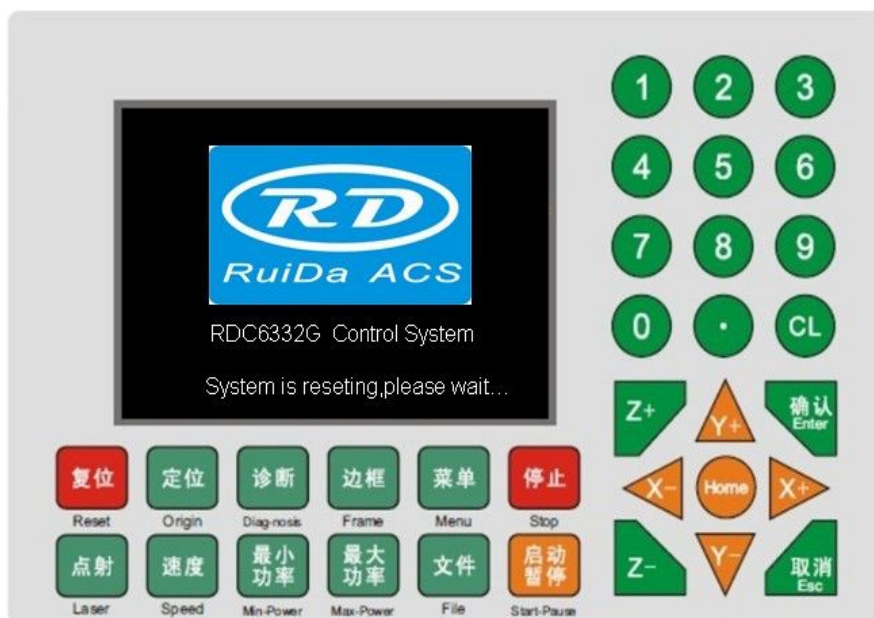


Figure: 3.1-1 Picture of Controller


### 3.2 Pictures of Panel



## Chapter 4 Description of Controller Interface Signal


### 4.1 Interface of Main Power Source CN1

No.	Symbols	Definitions
1	OGND	24V power ground (input)
2	+24V	24V power positive (input)
3	PGND	Reserve for GND Or not used
4	NC	Not used

 <b>Caution</b>	<p>This control system employs single 24 power supply. For a certain allowance, it is suggested to select 24V/2A power. Besides, this system is compatible with 36V power, that is to say, the 36V power of Motion driver can directly be connected to this main power port of this system, but generally it is not suggested to do so.</p>
---	---

### 4.2 Panel Power Interface CN0

No.	Symbols	Definitions
1	P+	5V power positive (output) (Only power for panel)
2	P-	5V power ground (output)

 <b>Caution</b>	<p>CN0 only power for 320*240 TFT display, and can't for other use. Controller P+ connect to panel P+, Controller P- connect to panel P-.</p>
---	---

### 4.3 Panel Signal-Cable Interface HDI

HDI is a normative DB15 interface, using the DB15 cable provided by factory to connect the mainboard and the panel.

## 4.4 Reserved Interface HMI

HMI is a factory interface whose function is reserved to user.

## 4.5 Udisk Interface


Udisk interface is a USB-AM, by this interface; the controller can read/write all kinds of U-discs.

## 4.6 USB Interface

USB interface is a USB-BM, which the controller can communicate with PC by USB2.0.

## 4.7 Ethernet Interface

Using this interface, the controller can communicate with PC by 10/100MHZ Ethernet.

 <p>Caution</p>	Pin to Pin Ethernet parallel line is recommended.
--	---

## 4.8 General Output Port CN2

Definition of general output port (6Pin, 3.81mm space)

Pin	Symbols	Definitions
1	OGND	External power ground (output)
2	Out4	General output 4, with the function reserved.
3	Out3	General output 3, with the function reserved.
4	Out2	General output 2, and the signal port of operating status. If this port is externally connected with the relay, the relay coil is broken over when it works; no influence is produced when it suspends working. When its work ends or is stopped manually, the relay coil will be cut off.
5	Wind	General output 1. When the blower control is enabled, this port will output the control signal of the blower, otherwise it will output other special control signals. When the blower is connected and its control enabled, the blower switch can be set separately on each layer. If the relay is connected externally, the relay coil will be broken over when the blower is on; the relay coil will be cut off when the blower is off.
6	O 24V	External power output (If the interface of main power source is powered with 24V power supply, this pin should be 24V; if it is powered with 36 V power supply, this pin should be 36V.)



Prompt

All outputs are isolated through the opto-isolator, and 500mA current for each, OC gate output, each can directly drive the 6V/24V relay.

## 4.9 3-axle Spacing and Special Input Interface CN3/CN4

Z-axle spacing and special input interface CN3 (6Pin, 3.81mm space)

No.	Symbols	Definitions
1	OGND	External power ground (output)
2	DrProc	Special input 2, protective port. If the machine needs to be protected in the special state (such as cover open protection), the protective signal can be inputted from this pin. This pin can be enabled and prohibited. This signal is not inquired by the controller if this pin is prohibited; if this pin is enabled, when the input is high-leveled or this input port is suspended, the machine will be protected, the work suspended and the laser closed.
3	FootSW	Special input 1, input port of foot switch. The connection method is: when the pedal is stepped down, the low-level signal will be inputted to this port; when the pedal is released, the port will be disconnected or the high-level signal can be inputted to this port; when the stepped-down pedal is held for not less than 100 ms, if the machine lies idle, it can be started for work; if the machine is in the working state, the work will be suspended; of the machine is in the suspension, the work will be restarted, that is to say, the function of the pedal switch is the same as that of the "Start/Pause" key. If the interval time to the first stepping-down of the pedal should be less than 1.5 seconds when the pedal is stepped down once again, the second stepping-down of the pedal will be considered invalid by the controller.
4	LmtZ-	The spacing from axle Z- and Z to 0 coordinate
5	LmtZ+	The spacing from axle Z- and Z to max. coordinate
6	O 5V	External power source + 5V (output)

X/Y-axle spacing interface CN4 (6Pin, 3.81mm space)

No.	Symbols	Definitions
1	OGND	External power ground (output)
2	LmtY-	The spacing from axle Y- and Y to 0 coordinate
3	LmtY+	The spacing from axle Y+ and Y to max. coordinate
4	LmtX-	The spacing from axle X- and X to 0 coordinate
5	LmtX+	The spacing from axle X+ and X to max. coordinate
6	O 5V	External power source + 5V (output)

The spacing polarity is optional, that is to say, when the motion axle reaches the spacing position, it will trigger a low-level signal so as to make the corresponding LED (under the cover) light; when the motion axle leaves the spacing position, it will trigger a high-level signal or disconnect the spacing signal so as to make the spacing indicator go out, but when it leaves the spacing, the corresponding indicator will light and the spacing polarity become positive. The mistaken setting of spacing polarity will result that the spacing can't be detected when the system is reset so as to lead to the collision of axles.

#### 4.10 X/Y/Z-axle Motion Drive Interface

The interfaces of the above three motion axles are the same (6Pin, 3.81mm space). The Axle-X interface is exemplified.

Pin	Symbols	Definitions
1	GND	Kernel power ground (output, only used for common cathode connection of driver)
2	xDir+	Differential plus end of directional signal
3	xDir-	Differential minus end of directional signal
4	xPulse-	Differential minus end of pulse signal (when the common anode connection is used and the pulse rising edge valid, input will start from this pin.)
5	xPulse+	Differential plus end of pulse signal (when the common anode connection is used and the pulse falling edge valid, input will start from this pin.)
6	+5V	Kernel 5V power positive (output, only used for common anode connection of driver)


The polarity of directional signal for driver pulse signal can be set. Where a certain axle is reset, it will move to the opposite direction of machine origin, which means the polarity of directional signal for this axle is not correct. In such a case, the connection between this axle and the motor driver can be broken first (otherwise the controller cannot be detected to the spacing so as to lead to the collision of this axle), and then such a polarity can be corrected after this axle is reset completely. Upon the correction, the reset key can be pressed against to reset the controller.



### 4.11 Laser Power Control Interface CN6/CN7

This control system has two independent and adjustable digital/analog laser power control interfaces. Signals of the two interfaces are similar and the first digital interface (CN6) is hereby exemplified (6Pin, 3.81mm space):

Pin	Symbols	Definitions
1	LGND	Laser power 5V ground (output)
2	L-On1-	Laser-enabled control interface 1. When the laser is the RF laser, this pin will not be used; 2. When the laser is a glass tube, if the used laser is outputted in the low-level form, this pin will be connected with the laser power enable end and used to control the ON/Off of laser.
3	L-On1+	Laser-enabled control interface 1. When the laser is the RF laser, this pin will not be used; 2. When the laser is a glass tube, if the used laser is outputted in the high-level form, this pin will be connected with the laser power enable end and used to control the ON/Off of laser.
4	LPWM1+	Power control interface of laser/laser tube 1. When the laser is the RF laser, this pin will not be used; 2. When the laser is a glass tube and the laser power PWM end is high-leveled, this pin will be connected with the laser power PWM end and used to control the power of the laser.
5	LPWM1-	Power control interface of laser/laser tube 1. When the laser is the RF laser, this pin will be connected with the laser RF-PWM end; 2. When the laser is a glass tube and the laser power PWM end is low-leveled, this pin will be connected with the laser power PWM end and used to control the power of the laser.
6	L-AN1	Analog voltage 1 and connected with the power control end of the first analog laser power source

 Prompt 提示	Please make corrective choice of laser type. After the option for laser type is modified, the controller should be reset so that the modification can be effected after resetting.
---	--

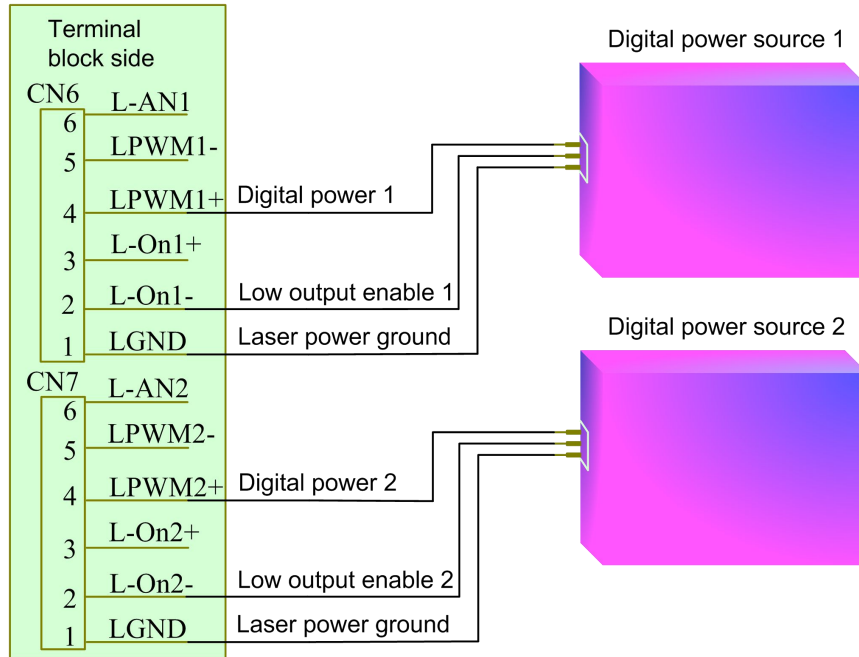
## 4.12 Water Protect Input Interface CN5

Water protect input interface CN5 (5Pin, 3.81mm space):

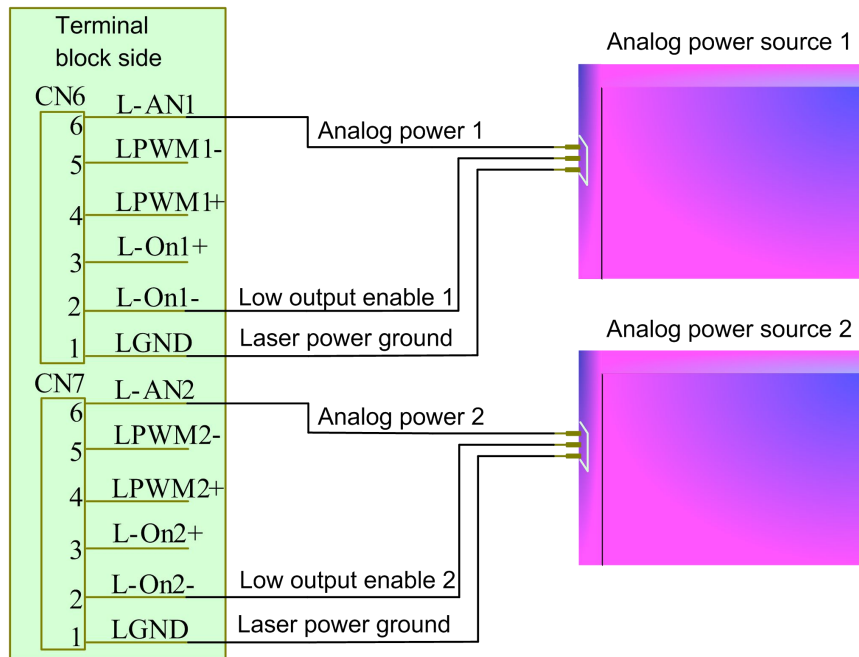
Pin	Symbols	Definitions
1	LGND	Laser power 5V ground (output)
2	WP1	The input port of water protector for the first laser power source. When the water protector 1 is enabled, the controller will detect the input port of water protector 1. If this port is of low level, it will be deemed normal; if this port is of high level, the controller will forcibly close the laser to suspend the work in progress and the system will warn. If the water protector 1 is not enabled, the controller will not detect the input port of water protector 1 and the user not connect the water protector 1.
3	WP2	The input port of water protector for the second laser power source. When the water protector 2 is enabled, the controller will detect the input port of water protector 2. If this port is of low level, it will be deemed normal; if this port is of high level, the controller will forcibly close the laser to suspend the work in progress and the system will warn. If the water protector 2 is not enabled, the controller will not detect the input port of water protector 2 and the user not connect the water protector 2.
4	L-IN3	General input with the function reserved.
5	L5V	Laser power 5V positive (output)

## Chapter 5 Laser Power Interface Examples

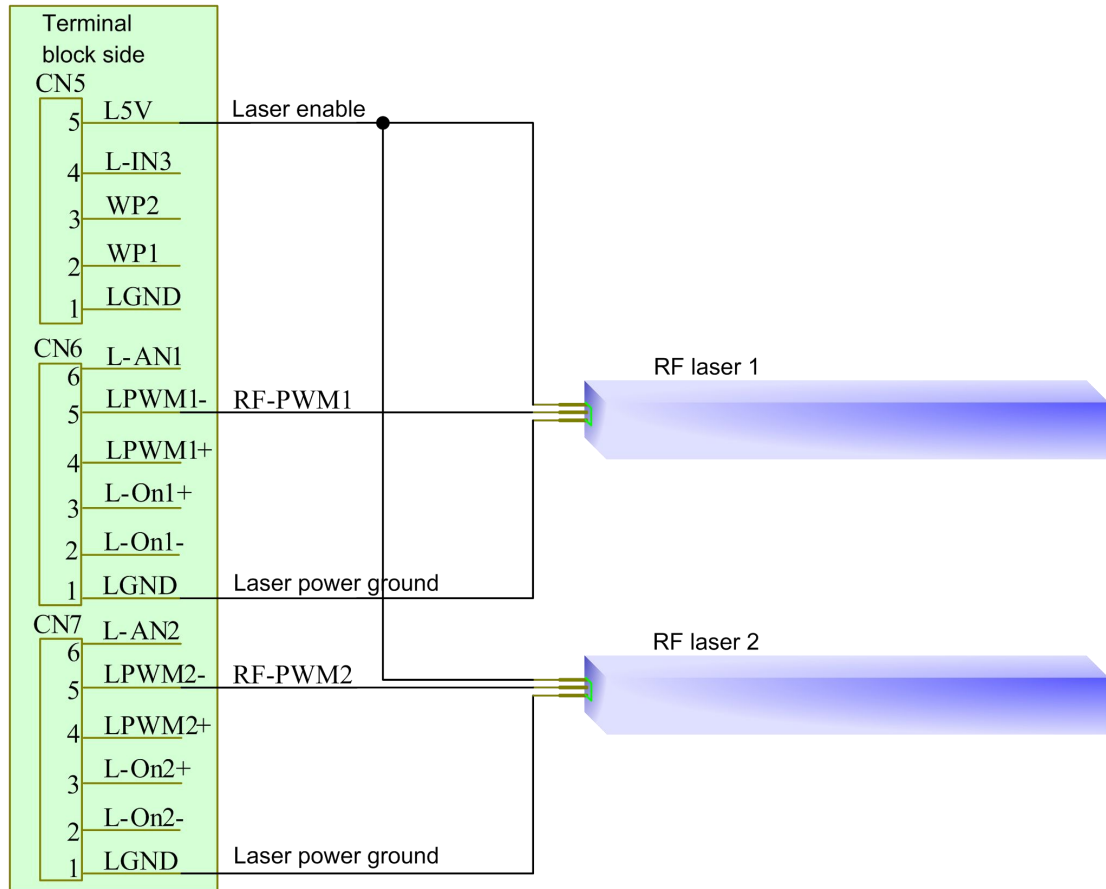
### 5.1 Digital Laser Power Supply of Glass Tube



### 5.2 Analog Laser Power Supply of Glass Tube



### 5.3 RF CO2 Laser



## Chapter 6 Step-servo Motor Driver Interface Examples

### 6.1 Overview

The input signal port of step-servo motor driver employs the photo coupler isolation technology. For the stepping pulse signal, some isolate the side OC diode from cutoff to conduction (e.g. the valid falling edge of pulse signal inputted from the diode minus end) and some do so from conduction to cutoff (e.g. the valid rising edge of pulse signal inputted from the diode minus end). When it is indicated whether the pulse signal of motor driver is the valid rising edge or the valid falling edge, it will be subject to the pulse signal inputted from the minus end of side OC diode.

Some input signals of motor driver are independent and some are internally of common anode, so some have 4 external leading-out wires and some 3 wires (only the pulse and directional signals are counted) as shown in Figure 10 and 11. Meanwhile, the input signal can generally be compatible with different voltage classes. If it is higher than the 5V signal, it is necessary to connect the current-limiting resistance externally. The interface signals of motor driver for RD controller are the 5V signals that should directly be abutted with the corresponding terminals to the driver.

The interface pulse end of each motor driver for RD controller can provide such two signals as the rising-edge walk and falling-edge travel. The improper use of the pulse-end signal may give rise to the lost steps, even back-run and finally dislocation of processed figure when the motor steers. In addition, this controller provide two directional signals not restrict in requirements. Either signal can be connected with the directional signal end of driver in the common-anode mode. Both directional signal ends can also be connected with the driver in the differential mode. In such a case, plus and minus can be exchanged at random. The result of exchange is that the rotating direction of motor is different from the actually desired direction. At this time the polarity of directional signal for the motor can be modified on the PC software. In this section is exemplated the driver of step-servo motor popular in the market. In addition to that the correct wiring scheme of this controller and motor driver is provided, it is recommended to use the common-anode connection in all wiring schemes.

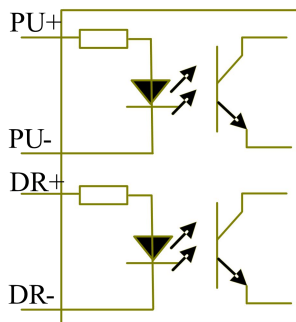


Figure: 6.1-1 Four Inputs, Independent Input Signal of Driver

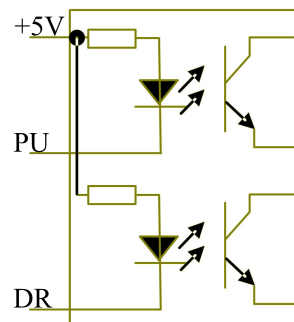


Figure: 6.1-2 Three Inputs, Common-anode Input Signal of Driver

## 6.2 Valid Rising Edge for Pulse Signal

The driver of the step-servo motor produced by Leadshine Technology Co., Ltd. is on the valid rising edge. Some of its products can support the mode of valid rising/falling edge. When these products are delivered out of the factory, they are all set at the valid rising edge; if the user changes the ex-factory setting into the valid pulse falling edge, Section 6.3 can be referred to for the wiring method. For the typical models such as 3ND556 and MD556, Figure 6.2-1 and 6.2-2 show the wiring scheme of RD controller and Leadshine driver.

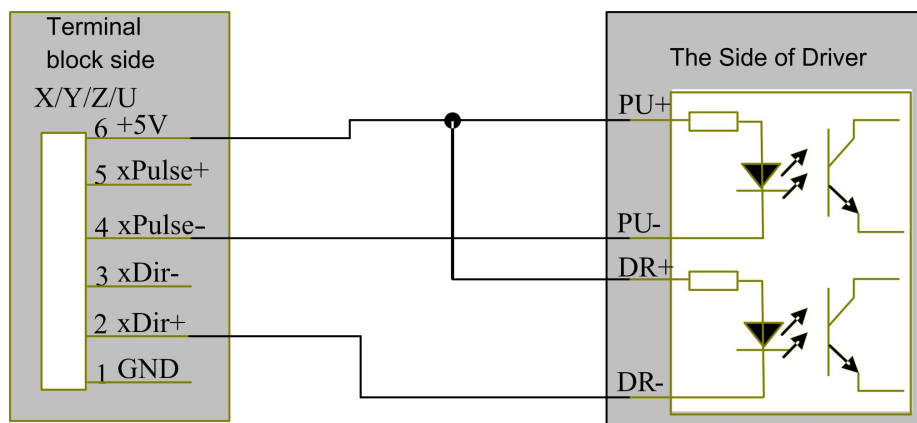


Figure: 6.2-1 Four Inputs, Valid Rising Edge and Common Anode Connection

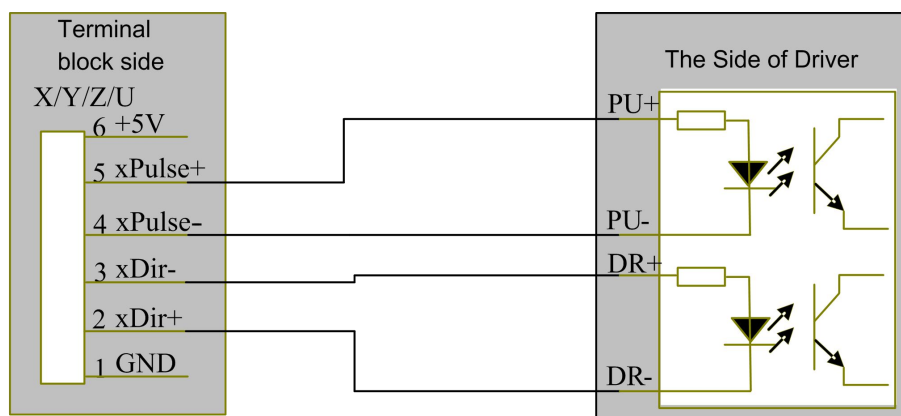


Figure: 6.2-2 Four Inputs, Valid Rising Edge and Differential Connection

### 6.3 Valid Falling Edge for Pulse Signal

The driver pulse ends of drivers for step-servo motors presently produced by most of manufacturers are of valid falling edge. These companies include BERGER LAHR, Beijing HollySyn Motor Technology Co., Ltd., Shenzhen YAKO Automation Technology Co., Ltd., Shenzhen Baishan Mechatronics Co., Ltd., Beijing Jektechnology Co., Ltd. and the like. The input signals for some motor drivers are independent and some of common anode.

- (1). The drivers with independent input signals include D921 and WD3-00X from BERGER LAHR, YKA3722MA from Shenzhen YAKO Automation Technology Co., Ltd., JK-2HB402M from Beijing Jektechnology Co., Ltd., Q2HB44MC(D) and Q3HB64MA from Shenzhen Baishan Mechatronics Co., Ltd.

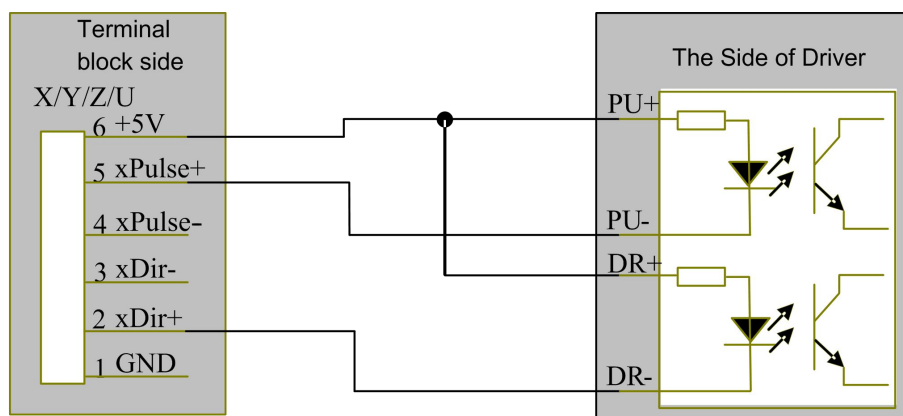


Figure: 6.3-1 Four Inputs, Valid Falling Edge and Common Anode Connection

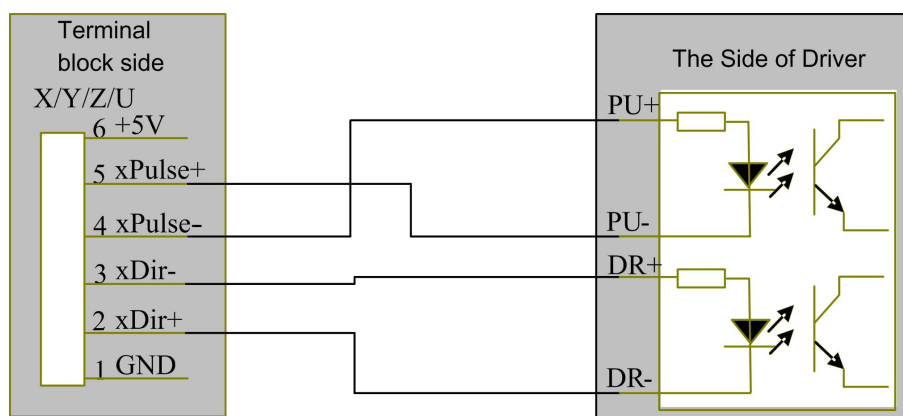


Figure: 6.3-2 Four Inputs, Valid Falling Edge and Differential Connection

- (2). The drivers with common-anode input signals include YKA2304ME from Shenzhen YAKO Automation Technology Co., Ltd., Q2HB34MB and

Q2HB44MA(B) from Shenzhen Baishan Mechatronics Co., Ltd.

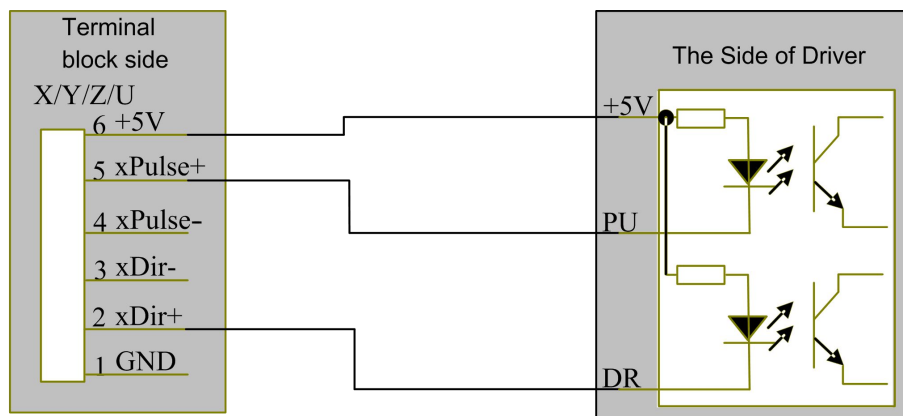


Figure: 6.3-3 Three Inputs, Valid Falling Edge and Common Anode Connection



## Chapter 7 Examples of IO-port Wiring

### 7.1 Input Port

The input connection at X/Y minus spacing is exemplified.

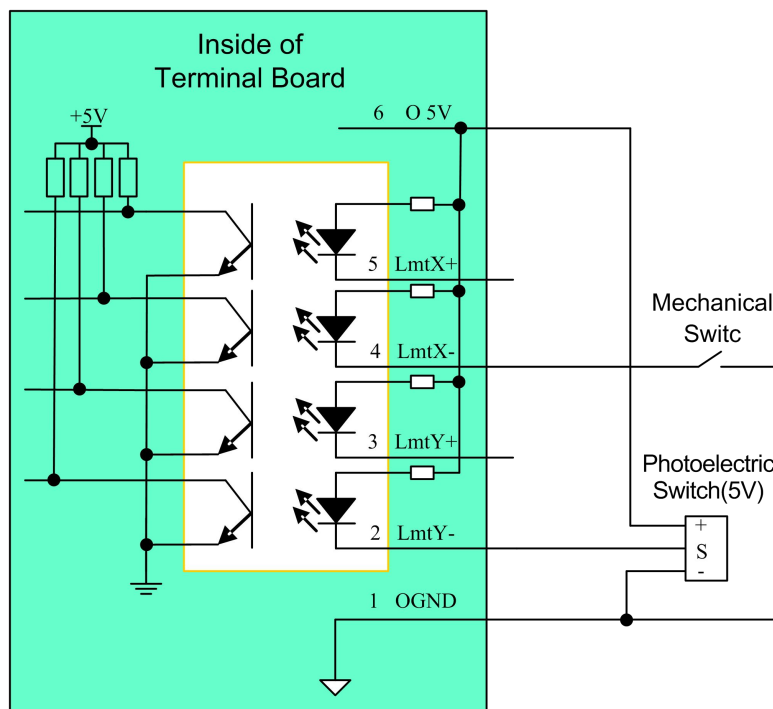


Figure: 7.1-1 Example of Input-port Connection

## 7.2 Output Port

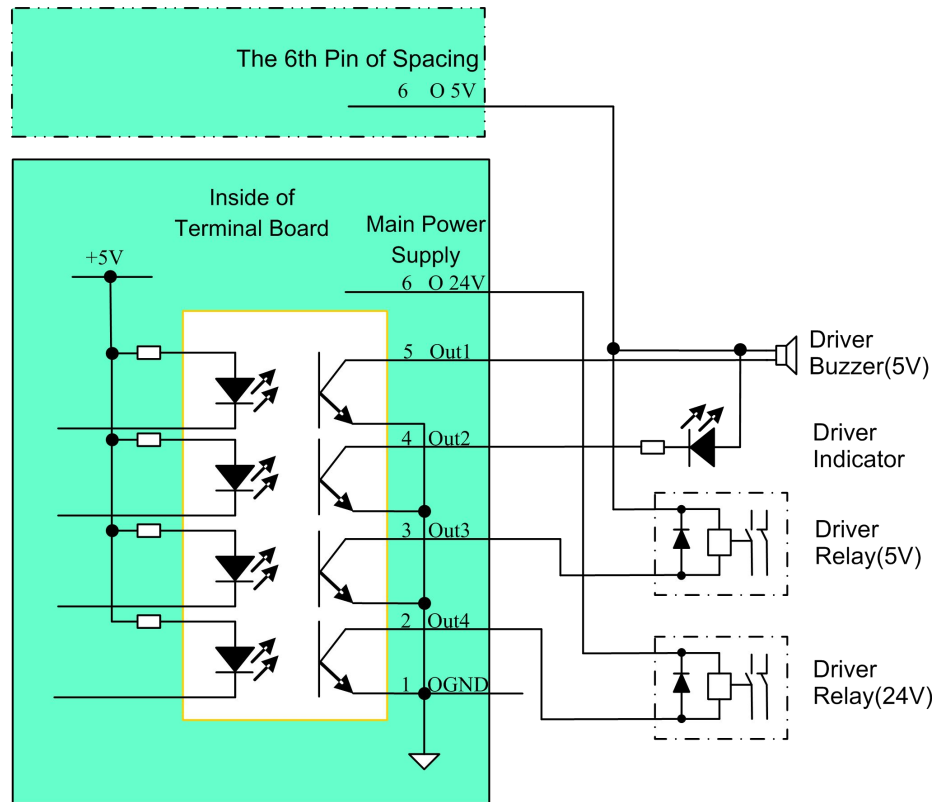
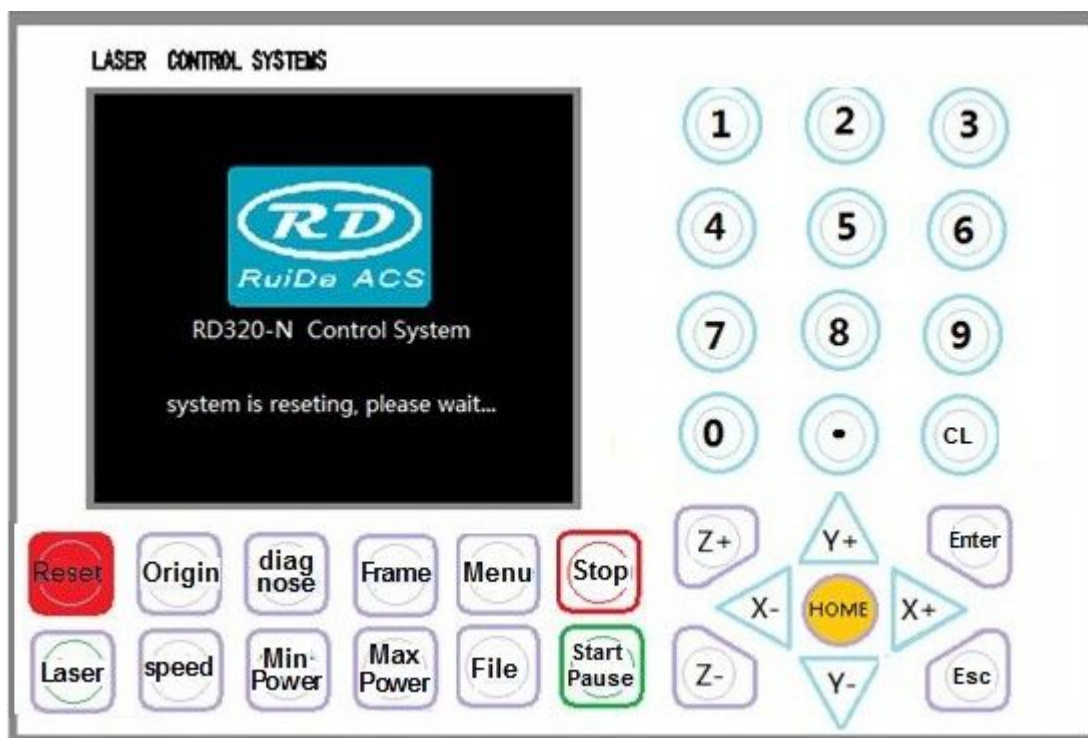


Figure: 7.2-1 Example of Output-port Connection





## Chapter 8 Operating Instruction of Panel







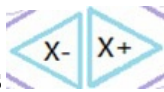
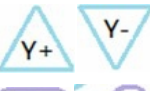
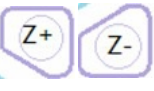





### 8.1 The Keys Introduction



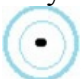

#### 8.1.1 Introduction to the whole panel



#### 8.1.2 Introduction to the keys

- “Reset” Key  :Reset the whole system;
- “Origin” Key  :Set the locating point;
- “Laser” Key  : Laser tube to emit;
- “Frame” Key  :To track by the current file’s frame;

- “File” Key  :The management of the memory and U disc files;
- “Speed” Key  :Set the speed of the current running layer,
- “Max Power” Key  :Set the max laser power of the current running layer, or set the power of “Laser” Key;
- “Min Power” Key  :Set the min laser power of the current running layer,
- “Stop” Key  :To stop the work;
- “Start/Pause” Key  :To start or pause the work;
- “X+/-” Keys  :To move the X axes or the left/right cursor;
- “Y+/-” Keys  :To move the Y axes or the up/down cursor;
- “Z+/-” Keys  :To move the Z axes or change the parameter pages;
- “HOME” Key  :Let the selected axes reset to origin;
- “Menu” Key  :Set the system parameter;
- “Diagnose” Key  :Diagnose the system, such as the limiter status, water protect etc.;
- “Esc” Key  : To stop work, or shutdown menu;
- “Enter” Key  : Validate the change;

- “Numeral” Keys  ~  :To set the parameters quickly;
- “Dot” Key  :To set the parameters quickly;
- “CL” Key  :To modify parameters;

## 8.2 Introduction to the interface functions

### 8.2.1 The screen of power on

When the system is powered on, the screen will show as below:



Figure: 8.2-1

This power on screen can be changed by user. If the user-defined graph is downloaded by the PC software, when restart the system, it will show the new graph.

### 8.2.2 The main interface

When the system finished resetting, the screen will show as below:

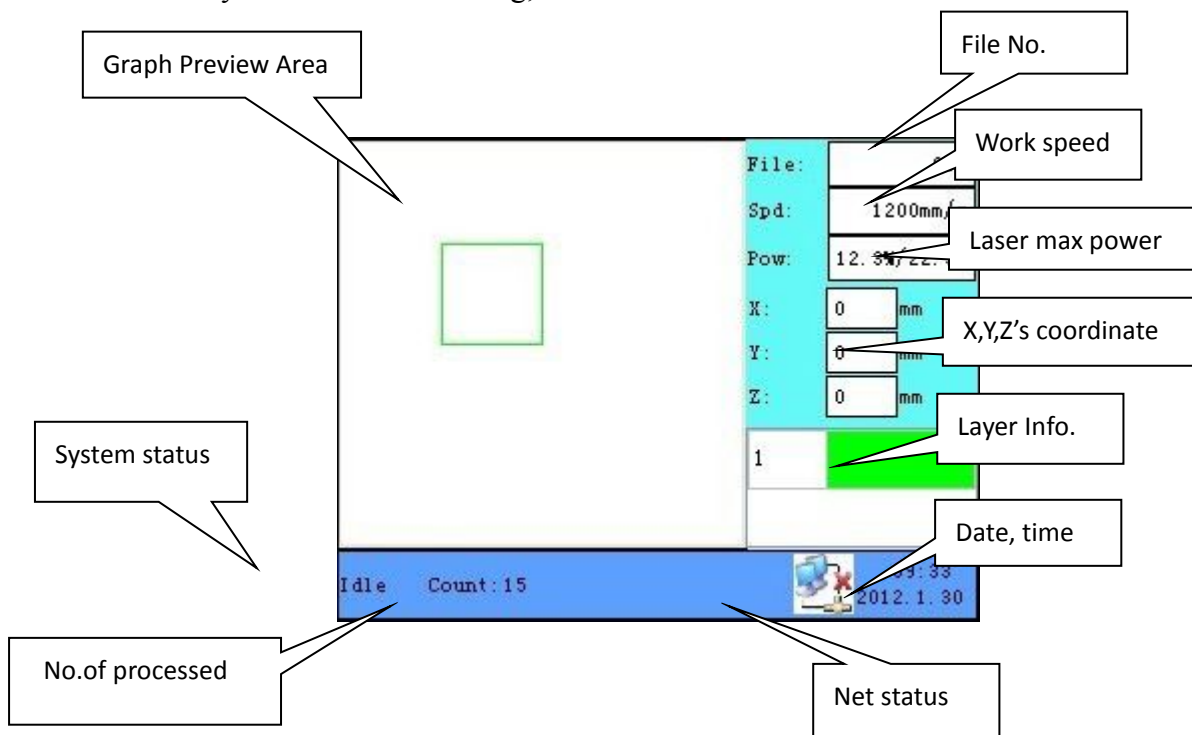


Figure: 8.2-2

**Graph Preview Area:** To display the whole file's track, and display the running track.

**System status:** To display the current status of the machine, such as Idle, Run, Pause, Finish, etc.

**Work No.:** To accumulate the work number of the current file.

**Net status:** To display the connecting status of the Ethernet.

**Data:** To display the system time.

**Layer Info.:** To display the layers' information of the current file, such as max or min power, speed etc. When system is idle, dblclick the layer, then users can change the layer's parameters and the changing would be saved.

**XYZ's coordinate:** To display the coordinate of XYZ axes, and the size accurate to 0.1mm.

**Laser max power:** When system is idle, to display the "Laser" key's power, when system is running, to display the max laser power of the running layer.

**Work speed:** When system is idle, to display the "Up/Down" or "Left/Right" key's speed, when system is running, to display the running speed of the current layer.

**File No.:** To display the current selected file's number.

### 8.2.3 Speed settings

Press "Speed" key when the screen is on the main interface, it will show as below:



Figure: 8.2-3

Press the “X+/-“ to move the cursor in the parameters area, and click “CL” to delete the old value, press “Numeral” to set the new value, and “Enter” to save the changed parameter, finally press the “Esc” key to invalidate the change and back to the main screen.

### 8.2.4 Max/Min power settings

Press the “Max Power” or the “Min Power” keys when the screen is on the main interface, it will show as below:

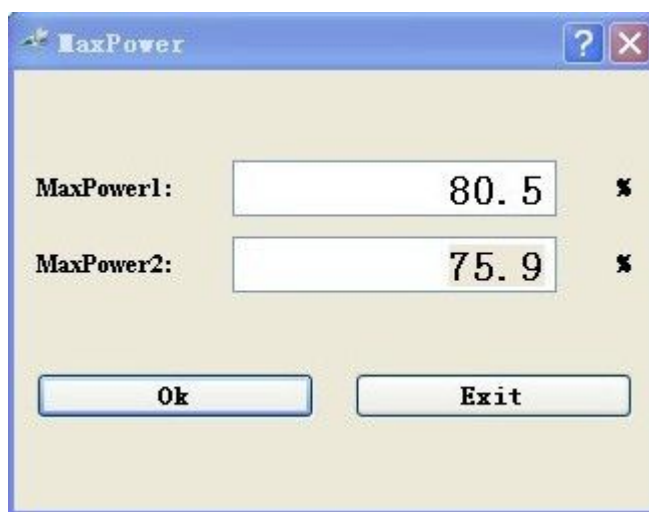


Figure: 8.2-4

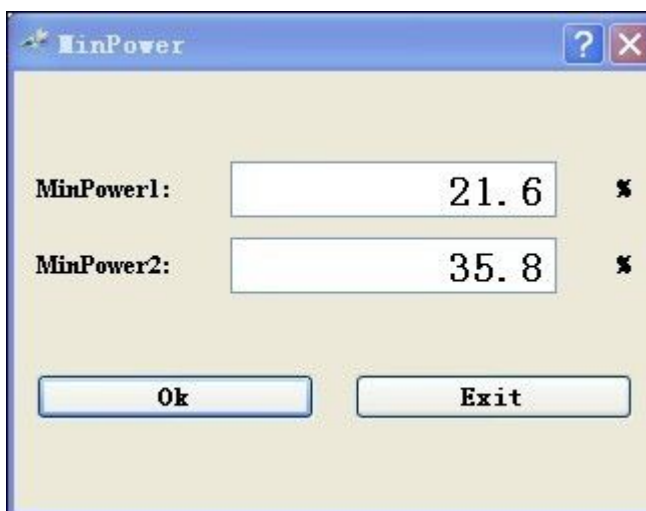


Figure: 8.2-5

The way of setting parameters is the same as “speed settings”.

### 8.2.5 Reset the axis

Press the “Home” key when the screen is on the main interface, it will show as below:



Figure: 8.2-6

Press the “X+/-“ Keys to move the cursor to one of the entry, then “Enter” to restart the selected axes, the screen will show some information when resetting.

### 8.2.6 Set the layer parameters

After selecting a file to preview on the main interface, user can press “Enter” key to let the cursor move to the first layer, then “Z+/-” to select the intent layer, user can press “Enter” key to check the selected layer’s parameters, shown as below:





Figure: 8.2-7

User can press “Z+/-” Keys to move the cursor on the intent parameter, then “Numeral” to modify the parameter if needed. “OK” to validate the change, and “Exit” to invalidate the change.

Please notice that “Z+/-” Keys are used to move the cursor but not to move Z axes when the cursor is on the layer on the main interface, that’s to say, if user want to move the Z-axis, firstly press the “CL” key to let the cursor disappear.

### 8.3 Introduction to menus

Press the “Menu” key when the screen is on the main interface, it will show as below:



Figure: 8.3-1

Press “Y+/- “to select the intent entry, then press “Enter” Key to check the sub menu.

### 8.3.1 System information

When the cursor is on “System info” entry, if “Enter” Key, the screen will show as below:

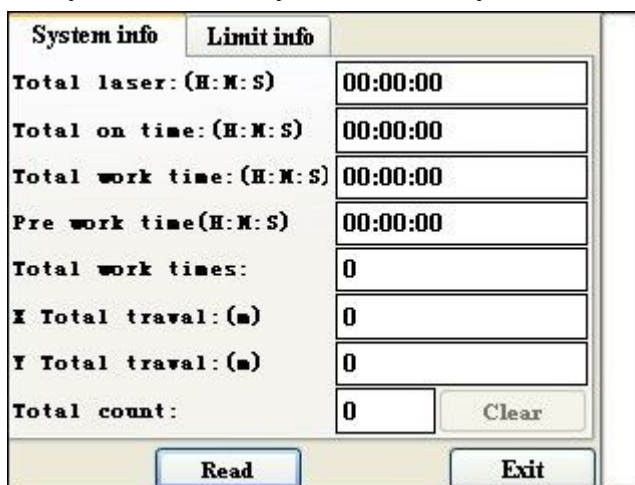


Figure: 8.3-2

The default cursor is on “Read” button, push “Enter” key to read all the system info. and the limit info.. “Z+/-“ keys could be used to move the cursor, and when the cursor is on “System info” label, “Y+/-“ keys could be used to change the label between “System info” and “Limit info”

### 8.3.2 System config

When the cursor is on “Sys config” entry, if “Enter” Key is pushed, the screen will show as below:



Figure: 8.3-3

The default cursor is on “Read” button, push “Enter” key to read the config information. “Z+/-“key could be used to move the cursor to select the intent label. If some value is changed, move the cursor to “Write” button and push “Enter” key, then the changed value could be saved.

“Lcd type” can’t be changed.

There are two options in “Com” label, “Ethernet” and “USB”. If users want to change this

value, a password would be needed, show as below:



Figure: 8.3-4



Figure: 8.3-5

### 8.3.3 Function sub menu

When the cursor is on “Func” entry, press “Enter”, the screen will show as below:




Figure: 8.3-6

If the cursor is on “Origin X enable”, press “Enter” to enable or disable the selected origin, if it’s enabled, the color frame would be red, otherwise it’s green.


- Multiple Origin Enable: “Yes” or “No” can be selected. If you select “No”, the system will use the single-origin logic. You can press the “Origin” key and set the origin, and only this origin can become valid. If you select “Yes”, the system will use the

multiple-origin logic and the “Origin” key on the keyboard become invalid. In such a case, the parameter of each origin must be set in the menu as follows.


- Origin X Enable: After the multiple-origin logic is enabled, the four origins can independently be prohibited and enabled.
- Set Origin 1/2/3/4: after the multiple-origin logic is enabled, you can stop the cursor at “Set as Origin 1/2/3/4”. Press the “Enter” key on the keyboard and the system will take the coordinate figures of current X/Y axles as the corresponding ones to the origin 1/2/3/4.
- Next Origin: there are five digits as 0~4 for option, which are the origins to be used for the next figure. Origin 0 means the origin set by the “Origin” key on the panel in the single-origin logic. 1~4 means the serial number of the origins in the multiple-origin logic. Next origin can be modified to any one of origin 1~4, so as to control the start location of the next work (the premise is that the origin is enabled), but it can’t be modified to origin 0.

 <b>Prompt</b>	<p>Once the multiple-origin logic is selected and if the serial number of the next origin is 1 and four origins are enabled, when the memory file function is started or the processing file is uploaded into the PC and this file selects “Take the Original Origin as current Origin”, the work started for each time will use different origins. The rotation order of origin is 1-&gt;2-&gt;3-&gt;4-&gt;1-&gt;2.....</p>
--	--

- Origin location: There are four entries to be selected: Top Left, Top Right, Bottom Left and Bottom Right. When one is selected, the previewed graph on the screen would be enantiomorphous based on X or Y direction.

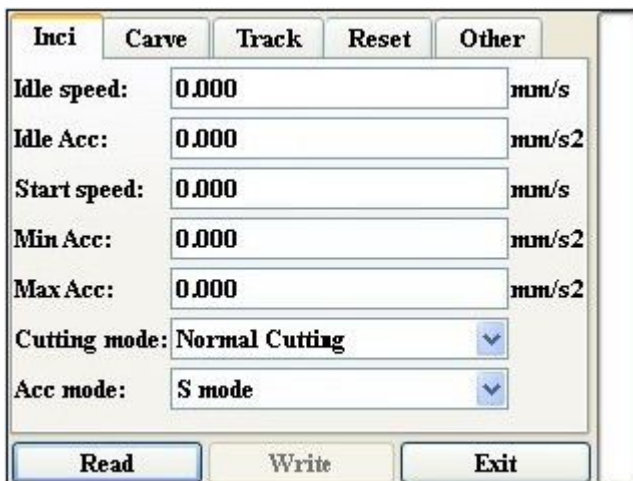
 <b>Caution</b>	<p>This item is only used to preview the file on the screen, and it is invalid to the machine’s movement.</p>
---	---

- Set Para: After the “Set Para” is selected and the Enter key pressed, the interface will show the specific password to be entered when set as default parameter. After the manufacturer regulates all parameters of the machine well (including all manufacturer parameters and user parameters), this function can be used to store the well-regulated parameters to help users to recover the original parameters (including all manufacturer parameters and user parameters) through selecting “Recover Para” when they regulate parameters improperly.
- Recover Para: After the “Recover Para” is selected and the Enter key pressed, the “Successful Recovery” dialog box will pop up to prompt that all manufacturer parameters and user parameters are recovered successfully. You can return to the previous menu by press the Enter key.
- Auto Focus: When the cursor stops at “Auto Focus”, press the Enter key to search for the focus (When there is z-axis, and the z-axis reset function is enabled, the auto-focusing is valid); press the Esc key to return the prior menu.

 When the machine leave factory, to store all the debugged manufacturer parameters and user parameters through “Set Para”, so “Recover Para” can be used to recover all the parameters at any time.

### 8.3.4 User para

When the cursor is on “User para” entry, if “Enter” key is pushed, the screen will show as below:



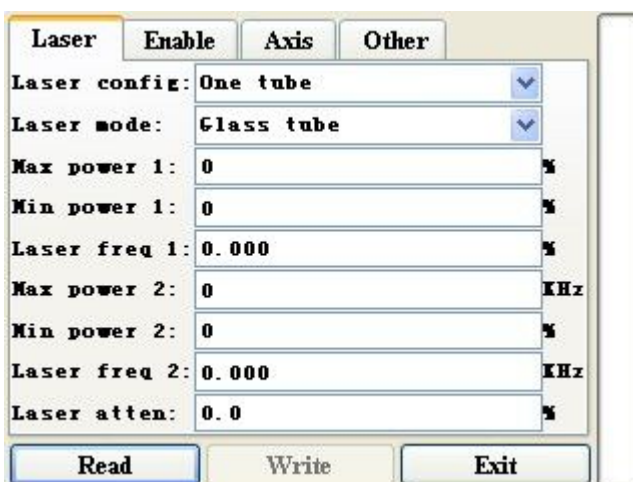
Inci	Carve	Track	Reset	Other
Idle speed:	0.000			mm/s
Idle Acc:	0.000			mm/s2
Start speed:	0.000			mm/s
Min Acc:	0.000			mm/s2
Max Acc:	0.000			mm/s2
Cutting mode:	Normal Cutting			▼
Acc mode:	S mode			▼
Read		Write		Exit

Figure: 8.3-7

The default cursor is on “Read” button, push “Enter” key to read all the user parameters. If some parameters are changed, then press “Write” button to save the new parameters. “Write” button can be pressed only after “Read” button is pressed.

### 8.3.5 Machine para

When the cursor is on “Machine para” entry, press “Enter”, the screen will show as below:



Laser	Enable	Axis	Other	
Laser config:	One tube		▼	
Laser mode:	Glass tube		▼	
Max power 1:	0		%	
Min power 1:	0		%	
Laser freq 1:	0.000		%	
Max power 2:	0		KHz	
Min power 2:	0		%	
Laser freq 2:	0.000		KHz	
Laser atten:	0.0		%	
Read		Write		Exit

Figure: 8.3-8

The default cursor is on “Read” button, push “Enter” key to read all the machine parameters. If some parameters are changed, then press “Write” button to save the new parameters. “Write” button can be pressed only after “Read” button is pressed.

## 8.4 Introduction to file function

### 8.4.1 Memory file

On the main interface, press “File”, it will pop up dialog box as below:

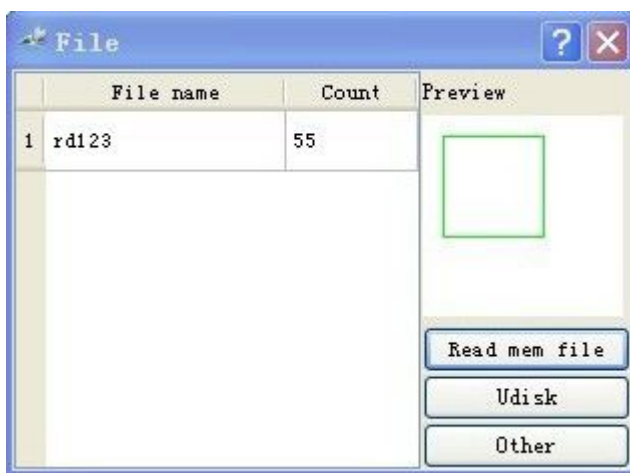


Figure: 8.4-1

When showing this menu, the system would read the memory file firstly, the file name and the running times would be listed in the left area, and the selected file is previewed at the top right area. “Y+/-“keys could be used to move the cursor on the file name list. When the cursor is on a target file name, presses “Enter” key, the selected file will be previewed on the main interface.

Press “Home” when the cursor is on a selected file, the screen will show as below:



Figure: 8.4-2

- Run: To run the selected file.
- Trck: To track the selected file, and the track mode is optional.
- Work time: To forecast the running time of the selected file, and the time is accurate to 1ms.
- Clear count: To clear the running times of the selected file.
- Delete: To delete the selected file.
- Copy to Udisk: To copy the selected file to Udisk.

If the “Other” entry in figure8.4-1 is pressed, the system will show as below:



- Cur work time: To forecast the running time of the current file (the current file No. is showed on the main interface)
- Clear all mem file count: To clear the running times of every file in the memory.
- Del all mem file: To delete all memory files.
- Format memory: To format memory and all the files in memory will be deleted.

### 8.4.2 Udisk file

If the “Udisk” entry in figure8.4-1 is pressed, the system will show as figure 8.4-4, and the operation method is all the same as figure 8.4-1

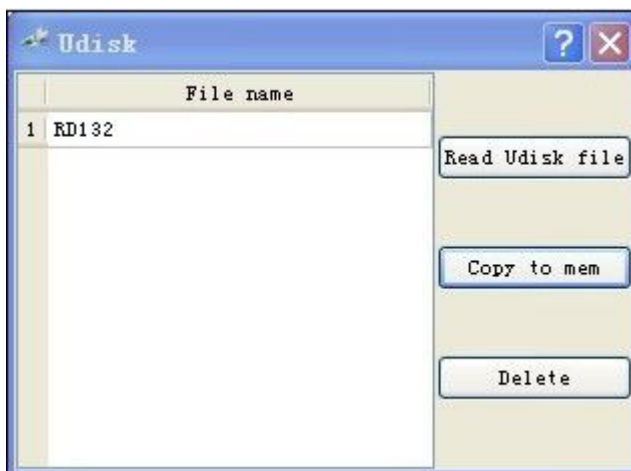



Figure: 8.4-4

 Prompt	<p>This system supports such file formats of USB as FAT32 and FAT16, but it can identify them only when the files are put under the root directory of USB. The file name of more than 8 characters will automatically be cut out by the system. The files except the English letters and digits, the others will not be shown when they are copied to the controller. The files copied from the controller to USB will be placed under the root directory of USB.</p>
---	---

## 8.5 Introduction to diagnoses function

Press “Diagnose” Key in the main interface, the system will show as below:

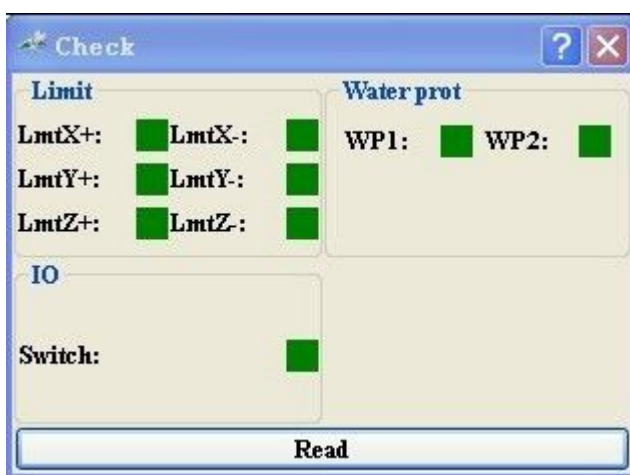


Figure: 8.5-1

This interface shows some system input information, such as limiter status, the status of the water protecting, and the status of the foot switch etc. When the input is validated, the color frame will be red, otherwise it's green.

## 8.6 Introduction to alarm info

When users are operating the system, or when the machine is running, some alarm information such as water protecting error maybe shows as below:



Figure: 8.6-1



## Chapter 9 Manufacturer/User Parameters Explanation

### 9.1 Manufacturer Parameters

#### (1) Axis parameters

**Direction Polarity:** Direction polarity modification can move the motor to the opposite direction. The modification purpose is to make the axis moving to the origin when resetting. If this axis moves far from the origin on resetting, it means the direction polarity setting is wrong and should be modified.

**Spacing/limit Polarity:** it is used to set the high and low level mode of spacing/limit signal. When the motion axis arrives at the spacing/limit position and input a low-level signal to the controller, the spacing/limit polarity should be set to negative at this time.

**Key Polarity:** it is used to control the movement direction when moving axis by keys manually. When the direction polarity is set correctly, if you press the directional keys on the operating panel, this axis will move to the opposite direction, in such a case the polarity of keys should be modified.

**Control Mode:** Double PWM and direction + single pulse are optional; it is configured with the motor driver types. In general, direction + single pulse is selected.

**Hard limit/spacing Protection:** it is used for whether the hard-spacing protection of this axis is enabled.

**Reset Enable:** if the machine is configured this axis, “Reset Enable” should be opened; if no, “Reset Enable” should be prohibited. This parameter is mainly to control the “Reset Enable” option in user parameters and “axis reset” in function keys, to prevent user to reset one axis which is not exist in real.

**Motor Step Length:** it means the impulse equivalent, the absolute distance by the corresponding motion axis when a pulse is delivered to the motor. Prior to the correct setting of this value, a larger rectangle can be cut with the machine (the larger the graphics is, the smaller the difference is). The motor stepping can automatically be calculated according to the graphics length and measuring length.

**Jump-off Speed:** it means the speed of the motion axis in direct start from the idle condition. If this value is excessively large, it will make the motor lose steps, jar and even squeak; if small, it

will reduce the running speed of the whole figure. If the inertia of the motion axis is larger (the axis is heavier), you can set a smaller takeoff speed; if smaller (the axis is lighter), the jump off speed can be increased. For example, the typical value is 5~30mm/s.

**Maximum Speed:** it means the maximum limit of motion speed that this axis can bear. This parameter has something to do with the driving force of motor, the inertia of motion axis and its drive ratio. For example, the typical value is 200~500mm/s.

**Acceleration:** it means the maximum acceleration of the motion axis in accelerated or decelerated motion. If the acceleration is set too large, it will make the motor lose steps, jar and even squeak; if too small, it will cause the reduction of acceleration so as to reduce the running speed of the whole figure. For the axis with larger inertia, such as Y axis corresponding to the beam, its typical setting range is 800~3000mm/s<sup>2</sup>; for the axis with smaller inertia, such as X axis corresponding to the car, its typical setting range is 8000~20000mm/s<sup>2</sup>.

**Breadth:** it means the farthest distance that the motion axis can move, which is determined in accordance with the actual condition of the machine.

**Key Jump-off Speed:** it means the starting speed to move the axis by way of the keys on the keyboard, which can't be higher than the jump off speed.

**Key Acceleration:** it means the acceleration to move this axis by way of the keys on the keyboard, which can't be higher than the maximum acceleration of this axis.

**Estop Acceleration:** if the hard-limit protection enabled by this axis, so when the axis moves to the limit position, it will stop the machine at Estop acceleration. The value can be 2~3 times of the maximum acceleration of this axis.

**Distance from Origin to Hard Limit:** if this axis enables hard-spacing protection, generally this value should be set to be 2~5mm; if it is set to be 0, when this motion axis moves to the smallest coordinate, i.e. 0, this spacing may be validate, which may wrongly triggers the hard-spacing protection and scam the machine. If the hard-spacing protection is not enabled, this value can be set to be 0~5mm.

## **(2) Laser parameters**

**Laser Configuration:** single laser and double lasers are available for selection and configured as the laser-tube quantity provided by the manufacturer.

**Laser Type:** glass tube, RF laser (not pre-ignition) and RF laser (pre-ignition) are available for selection.

**Maximum Power 1**

**Minimum Power 1**

**Laser PWM Frequency 1**


**Maximum Power 2**

**Minimum Power 2**

**Laser PWM Frequency 2**

**Laser Attenuation Quotiety**

Laser PWM Frequency is to set the pulse frequency of control signal used by the laser, in general, glass tube is about 20KHZ, RF laser is about 5KHZ; the maximum/minimum power (%) is used to set the limit power of the laser tube, that is to say, when running, the maximum power of user setting can't be higher than the maximum power and the minimum power of user setting is no less than the minimum power. When the laser power is attenuated after using for a time, user can set the laser power by the attenuation quotiety; if no attenuation, the quotiety is 0.

 Prompt	If it is only provided with the single laser, it will show the one-path parameter.
---	--

**(3) Other Manufacturer Parameters**


**Machine Type:** In most cases, the “normal” engraving machine should be selected and other types are used for specific machines.

**Feed Mode:** single-direction mode and bi-direction mode for optional. If it is single-direction feeding, it is unnecessary to check the coordinates, feeding can be conducted in the single-direction mode; if it is bi-direction feeding, the system will check the maximum and minimum coordinates. The odd sequence means feeding should be done to one direction and the even sequence means feeding done to the other direction. The initial direction for the first time can be changed through setting the directional polarity or modifying the positive and negative values of the feeding length. This parameter is valid only when the “Z function” is configured to “Drive for Feeding axes”.

**Power-Off-Restart Delay:** it can be set 0~3000ms. After power-off, the system power supply will be not dropped to 0V at once. There is a delay during the time. The delay value should be set basically the same as the actual power off delay value. If the deviation is larger, when in continuous engraving power-off-restart, the processing graphics is either not close with before, or coincided too much.

**Transmission Mode:** generally choose “Belt + step motor”, the control algorithm will be changed a little when other types are selected.

**Z-axis Function:** “platform” and “feeding axis” are optional.

 Prompt	After modified the configuration parameters in the manufacturer parameters, such as directional polarity, control mode, laser type and laser PWM frequency, the system should be reset. Such a modification can function upon the resetting of the system.
---	--

#### (4) Enable Parameters

**Laser tube 1 Enabled**


**Laser tube 2 Enabled**

**Water Protect 1 Enabled**

**Water Protect 2 Enabled**

**Door Opening Protection**

**Whether to Enable the blower**

 Prompt	The Enable Parameters are to enable or disable the above functions. If the machine is provided with the parameters for the single-laser in the manufacturer parameters, the display entry of enabling parameters will be changed accordingly.
---	---

## 9.2 User Parameters

### (1) Cutting Parameters (Only affect cutting arts)

**Idle Speed:** this parameter decides the highest speed of all non-lighting straight lines for the machine in the movement process.

**Idle Acceleration:** it means the highest acceleration of all non-lighting straight lines. Idle stroke speed and idle stroke acceleration can be set higher to reduce the working time of the whole graphics, but if they are set too high, it may cause the jarring of track, so comprehensive consideration should be given to the setting.

**Turning Speed:** the turning speed at the acute-angle corner, which is also the highest speed in the whole cutting process.

**Turning Acceleration:** the acceleration at the acute-angle corner in cutting. If the two speeds are set too high, jarring will happen to the turning; if set too low, it will influence the cutting speed.

**Cutting Acceleration:** it means the highest acceleration value in the whole cutting process.

**Acceleration Mode:** it is divided into T acceleration and S acceleration. T accelerate will quicken the whole cutting process, but which will result in that its cutting effect is inferior to that of S acceleration.

## (2) Sweep Parameters (Only affect scanning mode)

**X Start Speed**

**Y Start Speed**

**X Acceleration**


**Y Acceleration**

The above four parameters are used to set the starting speed and acceleration of two axes when scanning. The higher the two speeds are, the quicker the scanning is.

**Line Shift Speed:** this parameter is specially used to control the highest speed at which the previous line moves to the next line vertically in the scanning mode. If the line space is larger during the scanning or if the distance of each block is larger during scanning block graphics, it is necessary to position each line or block accurately. In such a case, the line shift speed can be set as a lower value.

**Scan Mode:** it is divided into general mode and special mode. If in special mode, the laser power should be increased. The smaller the spot percentage is, the more the laser power reduces. The laser power should be set larger to reach the same scanning depth. The purpose to select the special mode is to emit laser light at high power in short time, to get the flatter bottom on depth scanning, but it should be notice that if the spot size adjustment is not appropriate, it might not achieve this goal. And the high power emitting in short time mode will influence the laser life. The system defaults as general mode.

**Facula/Spot Size:** When selected the general mode as scanning mode, this parameter is invalid; when selected the special mode, this parameter is valid. The controller will control this parameter among 50%~99%.

 <b>Prompt</b>	The cutting and scanning parameters can't exceed the limited ones in the axis parameters. If so, the setting will become ineffective and the system will automatically cover the parameters with the axis parameters.
--	---

## (3) Reset Parameters

**Reset Speed:** it means the speed of X/Y-axis linkage reset to the origin.

**X- axis Startup Reset**

**Y- axis Startup Reset**

**Z- axis Startup Reset**


**U- axis Startup Reset**

You can select “Yes” or “No” in the field of the above four parameters, which is used to confirm whether each axis should be reset on the startup.

#### (4) Go Scale Parameters Setting

**Go Scale Mode:** “close laser go scale” means idling, for frame preview; “cutting frame open laser” means that cut off the well-processed graphics manually; “4-corner Dotting” means to emit the light at four corner points of the frame, laser one point and the other places turning off. The size and position of this graphics can be checked intuitively through the four points. The speed is the speed value set on the keyboard when the system is idle. For light output, its minimum/maximum power is the corresponding value set on the keyboard when the system is idle (The laser power on the 4-corner dotting means the setting maximum power).

**Go Scale Blank Distance:** It means whether to extend a certain length outside the actual frame of the figure on the preview/cutting of frame.

 <p>Prompt</p>	<p>If the frame crosses the border, the interface will prompt it. If the Enter key is pressed at this time, the system will cut the border at the maximum/minimum coordinates, and then framing operation. This operation can be given up.</p>
---	--

#### (5) Other User Parameters

**Array Mode:** Two-way array or one-way array can be selected, only be effective for virtual array. Two-way array means cutting the array back and forth in sequence; one-way array means the cutting the array always from one direction to another. When in one-way array, the action mode and fluency of each array elements are completely the same, which takes a little more time than two-way array. Two-way array is the default option.

**Return Position:** The locating point and the machine origin point can be selected. This parameter decides the parking position of laser head after each processing.

**Delay before Feeding:** set the time: 0~300s. The lagged time can facilitate user’s feeding and picking on the feeding device. The previous work is completed and delayed the value, the feeding axis begins to move. During the period of delay, it is convenient to feeding and select material for user.

**Delay after Feeding:** set the time: 0~9.9s. It is facilitated the feeding device delay debouncing after moving to the correct position, and waiting for the 2<sup>nd</sup> work when the feeding axis stands still completely.

**Focus Depth Setting:** it means the distance from the lens focal point of laser head to Z-axis original point. If there is no automatic focusing function, this parameter is invalid.

**Backlash X:** The backlash of X-axis, set the value according to the actual machine, accurate to 1 um, if this value is not 0, the control system will make compensation for backlash.



**Backlash Y:** The backlash of Y-axis, set the value according to the actual machine, accurate to 1 um, if this value is not 0, the control system will make compensation for backlash.

Thank you very much for using the product from Shenzhen RuiDa Technology!

All parts of this manual description, all rights reserved by Shenzhen RuiDa Technology Co., Ltd. Without our permission, any company or individual shall not reprint, copy or distribute the content related to this product manual. We keep the rights to revise or update the contents without notice.

If any comments and suggestions please feel free to contact us.

Phone: 0755-26066687 Fax: 0755-26982287

Website: [www.rd-ac.com](http://www.rd-ac.com)

Address: 1B-1, Building 5, Tian'an Nanyou Industry Area,  
Dengliang Road, Nanshan District, Shenzhen, P.R.C.